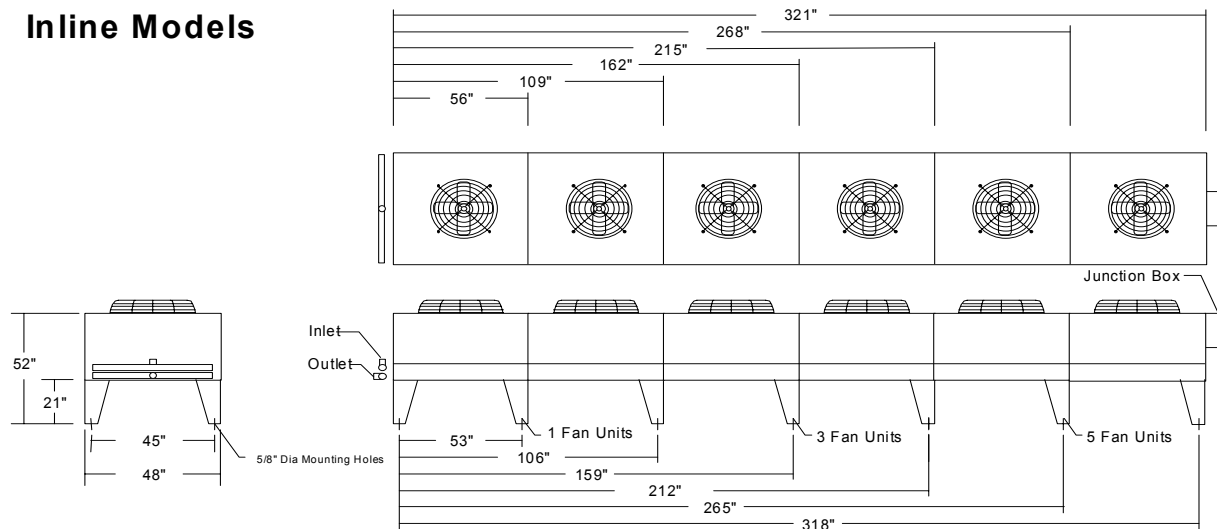


### Inline Models



Unit Model (12 FPI)	MBH 22 @ 30°F TD	R	Available Circuits	Fan Quantity (30")	1140 RPM Motors Total FLA		Operating Charge Lbs. R 22		Connection Size		Net Weight (Lbs.)
					230/30	460/3	Summer	Winter	Inlet	Outlet	
<b>DUPLEX UNITS</b>											
DAC 012	179.8		9	1	6.8	3.3	6.2	24.5	1 1/8	7/8	490
DAC 016	239.8		11	1	6.8	3.3	9.1	36.0	1 1/8	1 1/8	565
DAC 023	344.7		15	2	13.6	6.6	12.4	48.5	1 3/8	1 3/8	855
DAC 026	389.6		15	2	13.6	6.6	12.4	48.5	1 3/8	1 3/8	915
DAC 030	449.6		22	2	13.6	6.6	17.7	70.6	1 3/8	1 3/8	995
DAC 033	494.5		22	2	13.6	6.6	17.7	70.6	1 3/8	1 3/8	1015
DAC 035	524.5		22	3	20.4	9.9	17.7	70.3	1 5/8	1 3/8	1060
DAC 040	599.4		22	3	20.4	9.9	17.7	70.3	1 5/8	1 3/8	1240
DAC 044	659.9		33	3	20.4	9.9	26.4	105.3	2 1/8	1 5/8	1360
DAC 050	749.3		33	3	20.4	9.9	26.4	105.3	2 1/8	1 5/8	1510
DAC 052	779.2		45	4	27.2	13.2	24.1	95.6	2 1/8	1 5/8	1570
DAC 060	899.1		27	4	27.2	13.2	48.8	198.1	2 1/8	1 5/8	1785
DAC 066	989.0		27	4	27.2	13.2	48.8	198.1	2 1/8	1 5/8	1955
DAC 071	1063.9		27	5	34.0	16.5	61.5	248.0	2 1/8	2 1/8	2160
DAC 079	1183.8		27	5	34.0	16.5	61.5	248.0	2 1/8	2 1/8	2410
DAC 082	1228.8		24	5	34.0	16.5	81.3	329.9	2 5/8	2 1/8	2490
DAC 090	1348.7		24	5	34.0	16.5	81.3	329.9	2 5/8	2 1/8	2790
DAC 095	1423.6		27	6	40.8	19.8	98.2	396.4	2 5/8	2 5/8	3000
DAC 098	1468.5		36	6	40.8	19.8	98.2	396.4	2 5/8	2 5/8	3040
DAC 108	1618.4		36	6	40.8	19.8	98.2	396.4	2 5/8	2 5/8	3240