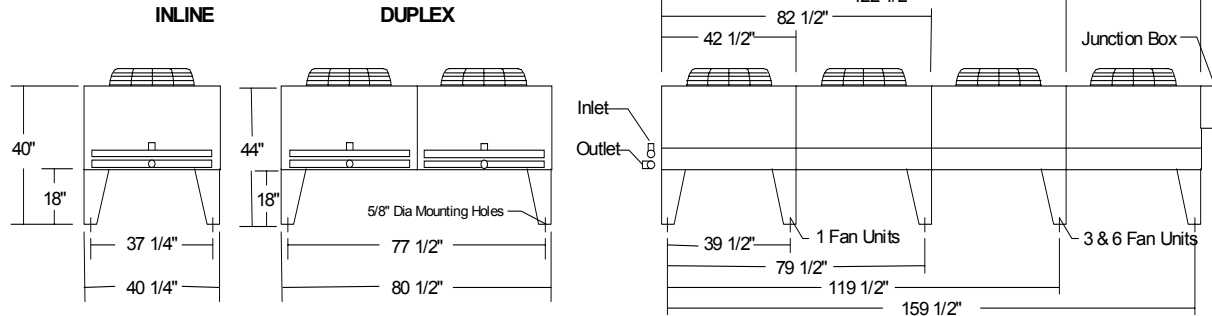


### Model CFC 006 thru 072



### Dimensions, Electrical & Capacity Data

Unit Model	Flow Range (GPM)	Fan Data		Motor Data (FLA)				Connection (in. MPT)		Coil Volume (US Gal)	Shipping Wt. (Lbs.)
		Dia. (In.)	Qty.	230/1/60	230/3/60	460/3/60	575/3/60	Inlet	Outlet		
<b>INLINE UNITS</b>											
CFC 006	6 - 29	24	1	3.6	2.8	1.2	1.0	1 1/2	1 1/2	2.28	224
CFC 007	7 - 35	24	1	3.6	2.8	1.2	1.0	1 1/2	1 1/2	3.45	243
CFC 008	10 - 61	24	1	3.6	2.8	1.2	1.0	1 1/2	1 1/2	4.49	262
CFC 010	7 - 29	24	2	7.2	5.6	2.4	2.0	2	2	4.84	392
CFC 015	14 - 69	24	2	7.2	5.6	2.4	2.0	2	2	6.93	434
CFC 017	18 - 92	24	2	7.2	5.6	2.4	2.0	2	2	8.86	468
CFC 018	9 - 46	24	3	10.8	8.4	3.6	3.0	2	2	6.52	573
CFC 023	14 - 69	24	3	10.8	8.4	3.6	3.0	2	2	10.00	642
CFC 025	18 - 92	24	3	10.8	8.4	3.6	3.0	2	2	12.89	703
CFC 026	18 - 92	24	4	14.4	11.2	4.8	4.0	2	2	8.86	752
CFC 031	28 - 138	24	4	14.4	11.2	4.8	4.0	2	2	13.09	841
CFC 036	37 - 184	24	4	14.4	11.2	4.8	4.0	2	2	16.94	925
<b>DUPLEX UNITS</b>											
CFC 020	14 - 58	24	4	14.4	11.2	4.8	4.0	2 x 2	2 x 2	9.68	874
CFC 030	28 - 138	24	4	14.4	11.2	4.8	4.0	2 x 2	2 x 2	13.86	958
CFC 034	36 - 184	24	4	14.4	11.2	4.8	4.0	2 x 2	2 x 2	17.72	1024
CFC 037	18 - 92	24	6	21.6	16.8	7.2	6.0	2 x 2	2 x 2	13.03	1271
CFC 046	28 - 138	24	6	21.6	16.8	7.2	6.0	2 x 2	2 x 2	19.99	1409
CFC 050	36 - 184	24	6	21.6	16.8	7.2	6.0	2 x 2	2 x 2	25.78	1531
CFC 052	36 - 184	24	8	28.8	22.4	9.6	8.0	2 x 2	2 x 2	17.71	1662
CFC 062	56 - 276	24	8	28.8	22.4	9.6	8.0	2 x 2	2 x 2	26.18	1840
CFC 072	74 - 368	24	8	28.8	22.4	9.6	8.0	2 x 2	2 x 2	33.87	2008

Custom circuting available, please contact appropriate sales office.  
Vent and drain connections are 3/8" FPT.