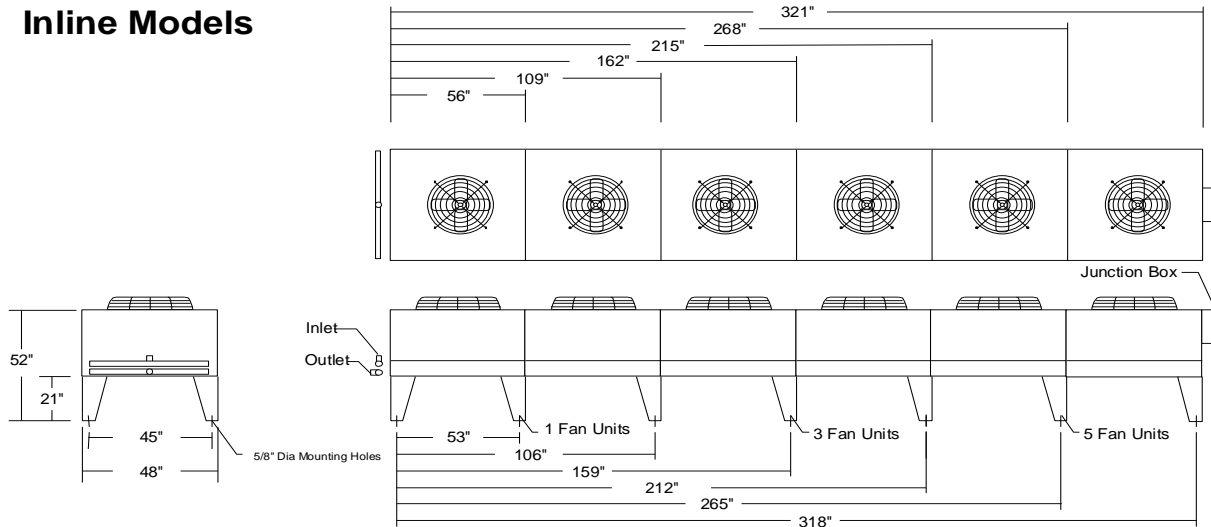


Inline Models



Dimensions, Electrical & Capacity Data

Unit Model	Flow Range (GPM)	Fan Data		Motor FLA			Connection (in. MPT)		Coil Volume (US Gal)	Shipping Wt. (Lbs.)
		Dia. (In.)	Qty.	230/3/60	460/3/60	575/3/60	Inlet	Outlet		
IINLINE UNITS										
DFC 012	14 - 104	30	1	6.8	3.3	2.7	2	2	3.94	490
DFC 015	21 - 104	30	1	6.8	3.3	2.7	2	2	5.48	575
DFC 017	14 - 104	30	1	6.8	3.3	2.7	2	2	6.99	725
DFC 024	21 - 104	30	2	13.6	6.6	5.4	2	2	7.00	915
DFC 030	21 - 104	30	2	13.6	6.6	5.4	2	2	10.06	995
DFC 034	28 - 138	30	2	13.6	6.6	5.4	2	2	13.12	1115
DFC 045	31 - 156	30	3	20.4	9.9	8.1	2	2	14.65	1240
DFC 052	41 - 207	30	3	20.4	9.9	8.1	2	2	19.23	1360
DFC 060	31 - 156	30	4	27.2	13.2	10.8	2 1/2	2 1/2	19.82	1785
DFC 068	41 - 207	30	4	27.2	13.2	10.8	2 1/2	2 1/2	25.93	1955
DFC 085	41 - 207	30	5	34.0	16.5	13.5	3	3	32.79	2730
DFC 102	41 - 207	30	6	50.8	19.8	16.2	3	3	38.89	3240

Custom circuiting available, please contact appropriate sales office.
Vent and drain connections are 3/8" FPT.